

Pigging system

Sampling

Filtration

Safety valves



# Filters



+33 (0)2 98 51 20 30

[www.ab6-fluidprocess.com](http://www.ab6-fluidprocess.com)



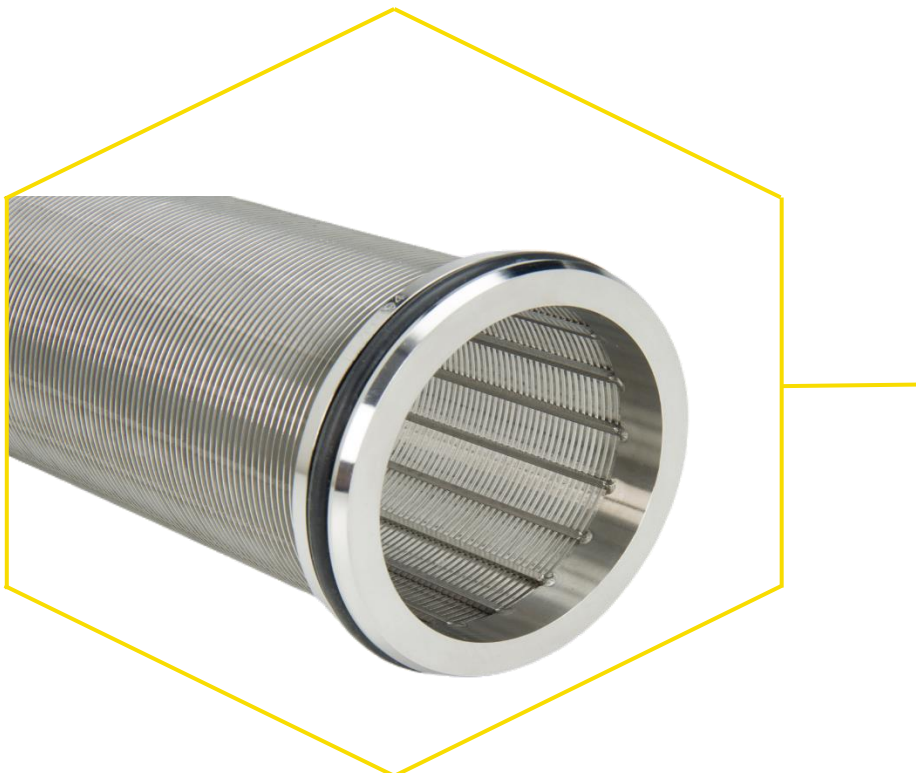
*The expertise  
of a designer  
and manufacturer*

# FILTRES

## APPLICATIONS AND DESIGN

CONSUMER SAFETY, EQUIPMENT AND ENERGY COSTS ARE STRATEGIC IN DEFINING OPERATING PROCEDURES.

A SUITABLE FILTRATION SYSTEM, UPSTREAM OF DYNAMIC EQUIPMENT, GUARANTEES THE PROCESS AGAINST UNDESIRABLES AND LOSSES.



**ABSCISSE DESIGNS AND MANUFACTURES FILTERS, GUARANTEEING OPTIMAL PROTECTION AND ADAPTED TO YOUR IMPLEMENTATION AND MANUFACTURING PROCESSES**



# QUALITY



**LOW LOAD LOSS = LESS ENERGY CONSUMPTION.**

**RIGID PROFILE - FILTERING REGULARITY**

**LARGE SIZING = EASIER AND LESS FREQUENT CLEANING**

**RIGHT ANGLE DESIGN, « Y » DESIGN, OR IN LINE = EASY TO SET UP**

**EUROPEAN DESIGN AND MANUFACTURE**



**THROUGHOUT THEIR MANUFACTURING AND ASSEMBLY PROCESS, OUR FILTERS PASS MANY QUALITY CONTROLS.**

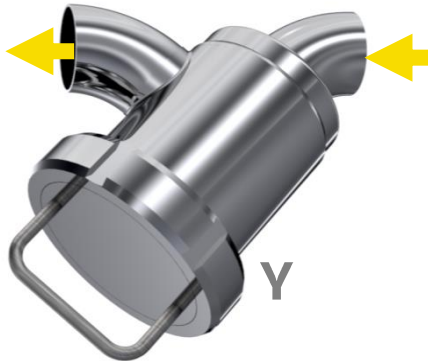
**GUARANTEED AND RELIABLE, THEY RESPECT THE NORMATIVE REQUIREMENTS.**



# INTEGRATION



RIGHT ANGLE



Y



IN LINE SIMPLE OR DOUBLE

**ABSCISSE FILTERS ARE DESIGNED AND MANUFACTURED TO FACILITATE THEIR INSTALLATION, MAINTENANCE AND ARE PERFECTLY SUITED TO PERIPHERAL EQUIPMENT ON THE LINES.**

**SIZE BASED ON THE CHARACTERISTICS OF THE FLUID, OUR FILTERS ARE DESIGNED TO BE VERY ENERGY-EFFICIENT THANKS TO THE DIFFERENT CONSTRUCTIONS WE OFFER.**

## CONSTRUCTION :

Standard ( BW)	Construction	Availability
SMS3008	Right angle	⊙
	Y	⊙
	In line	⊙
DIN11850	Right angle	⊙
	Y	⊙
	In line	⊙
ISO1127	Right angle	⊙
	Y	⊙
	In line	⊙

⊙ Usual stock  
triangular profile rectangular section 100μ, 500μ1mm

⊙ Manufacturing

# FILTER PROFILES



## TRIANGULAR PROFILE RECTANGULAR SECTION

- FILTRATION THRESHOLD : 0,01 À 10 MM
- EASY CLEANING
- WIDE SECTION OF PASSAGE



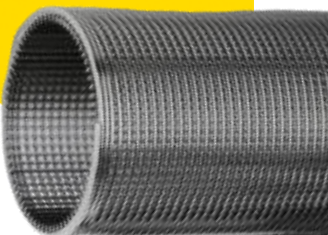
## PERFORATED FILTRATION

- ROUND FILTRATION THRESHOLD: 1 A 10MM
- EASY CLEANING
- CONSISTENT FILTRATION



## TRIANGULAR PROFILE SQUARE SECTION

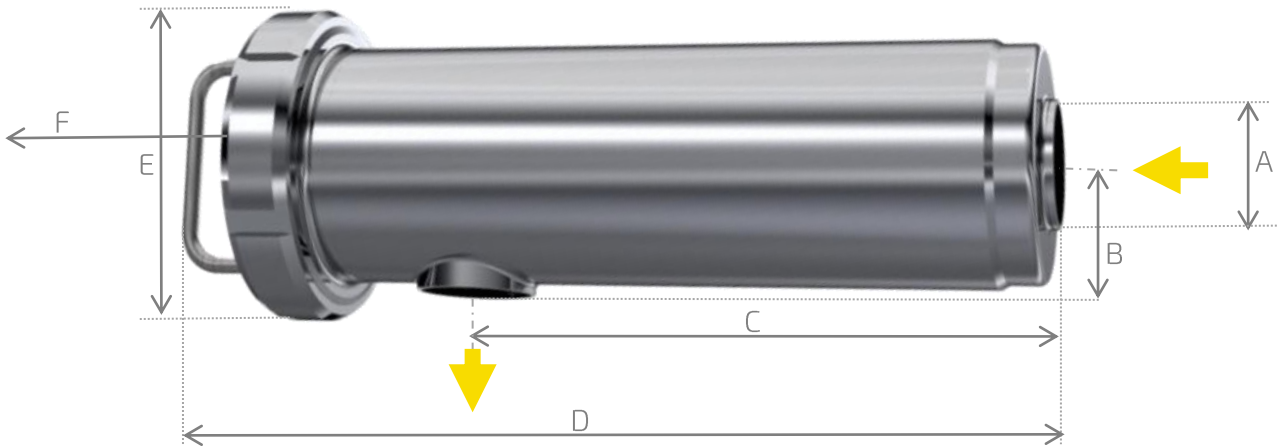
- FILTRATION THRESHOLD : 0,02 À 10 MM
- CONSISTENT FILTRATION (THRESHOLD ON THE DIAGONAL OF THE EDGE)
- EXCELLENT MECHANICAL RESISTANCE



**WHATEVER THE PROFILE OUR FILTERS OFFER A VERY LARGE FILTRATION AREA AND A LARGE SECTION OF PASSAGE, ALL GUARANTEEING EXCELLENT MECHANICAL RESISTANCE TO PRESSURE AND ALLOWING CLEANING AGAINST CURRENT.**

# FILTERS

## STANDARD DESIGN RIGHT ANGLE FILTER



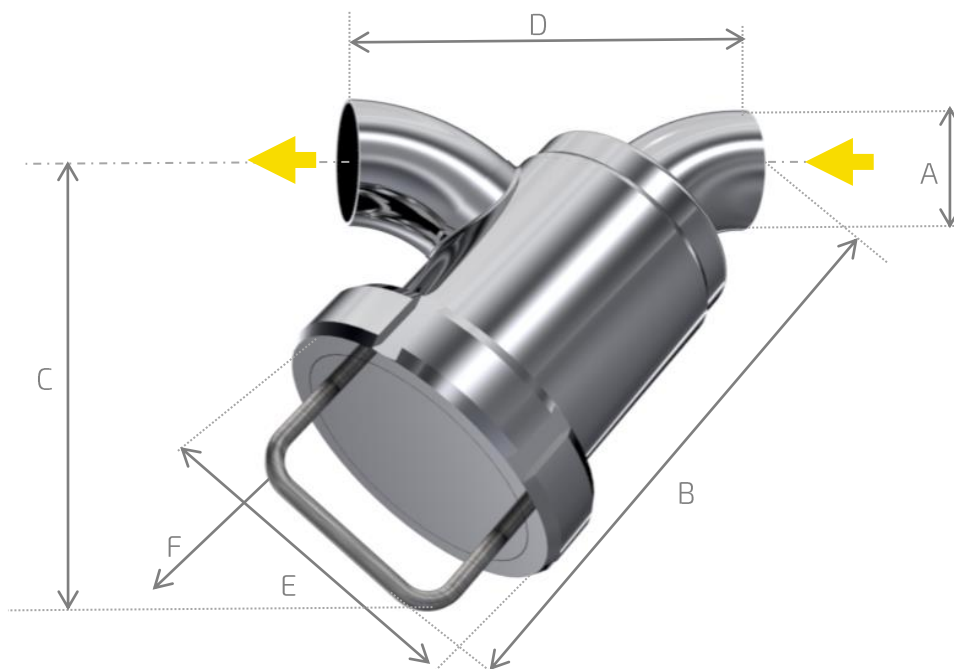
DN	A	B	C	D	E	F
<b>SMS 3008</b>						
25	Ø25	56	259	406	138	400
38	Ø38	56	259	406	138	400
51	Ø51	56	259	406	138	400
63	Ø63,5	56	329	476	138	465
76	Ø76,1	56	329	476	138	465
104	Ø104	79	703	932	210	915
<b>DIN11850</b>						
25	Ø29	56	259	406	138	400
32	Ø35	56	259	406	138	400
40	Ø41	56	259	406	138	400
50	Ø53	56	259	406	138	400
65	Ø70	56	329	476	138	465
80	Ø85	56	329	476	138	465
100	Ø104	79	703	932	210	915

Sizes in mm  
 General tolerances according ISO 13920-B  
 F - Minimum free distance needed to remove the cartridge

# STANDARD DESIGN



## "Y« FILTER



DN	A	B	C	D	E	F
SMS 3008						
25	Ø25	229	181	129	138	160
38	Ø38	242	186	157	138	160
51	Ø51	257	193	184	138	160
63	Ø63,5	323	237	226	138	220
76	Ø76,1	340	244	269	138	220
104	Ø104	585	409	456	210	407
DIN11850						
25	Ø29	238	185	147	138	160
32	Ø35	241	186	154	138	160
40	Ø41	246	188	161	138	160
50	Ø53	254	192	179	138	160
65	Ø70	316	234	211	138	220
80	Ø85	323	237	236	138	220
100	Ø104	585	409	456	200	480

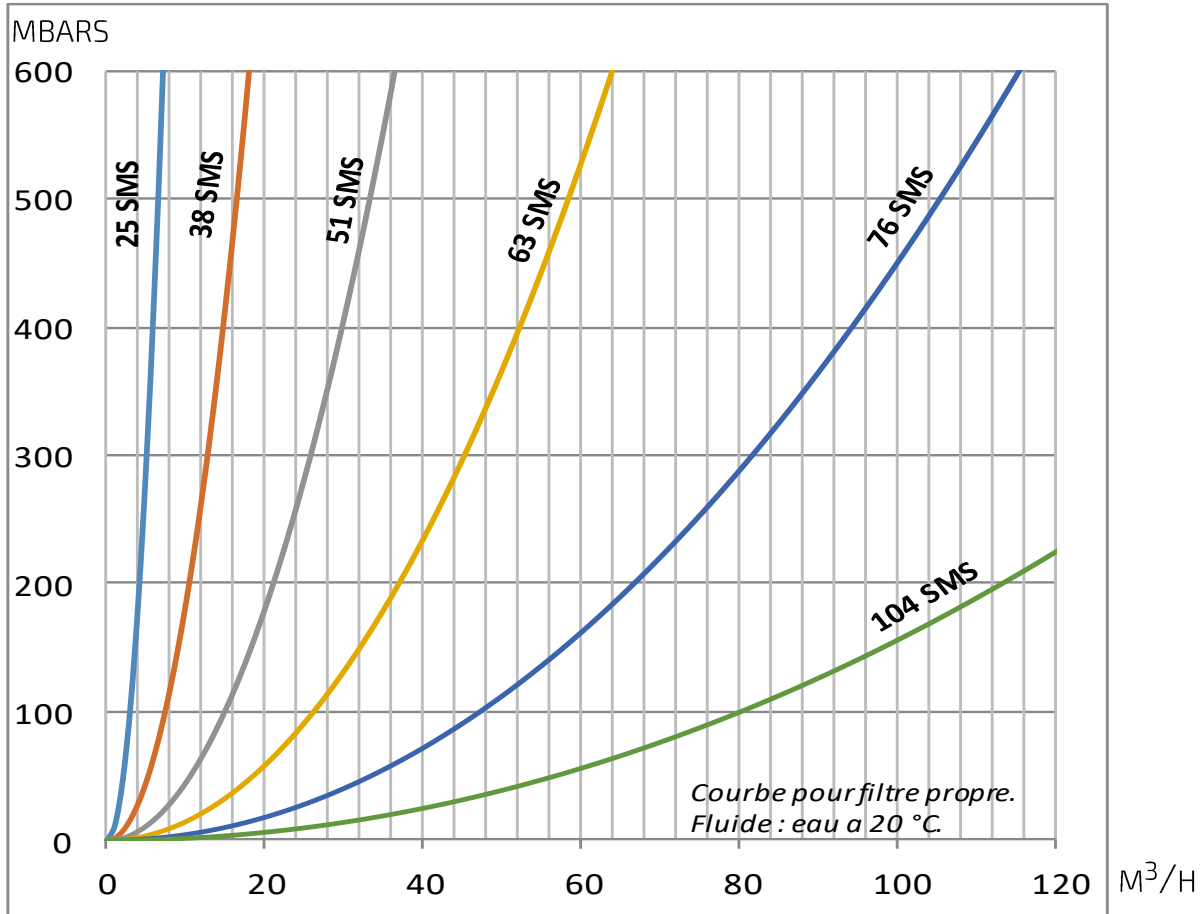
Sizes in mm  
 General tolerances according ISO 13920-B  
 F - Minimum free distance needed to remove the cartridge

# FILTRES

## TECHNICAL DEFINITION DN08 À DN200

### PRESSURE DROP :

PRESSURE DROP CURVE OF A RIGHT ANGLE FILTER WITH A TRIANGULAR PROFILE/RECTANGULAR SECTION 500 μ



### CONSTRUCTION :

Working pressure	standard	maximum 10 bars
Working temperature	EPDM	-60°C / +120°C
	FKM	0°C / +200°C
	PTFE /FEP - silicone	0°C / +130°C
Closure of the body	DN08 à 100	Threaded SMS
	DN100 à 150	Clamp
	DN200	Flange



# OPTIONAL CONSTRUCTIONS

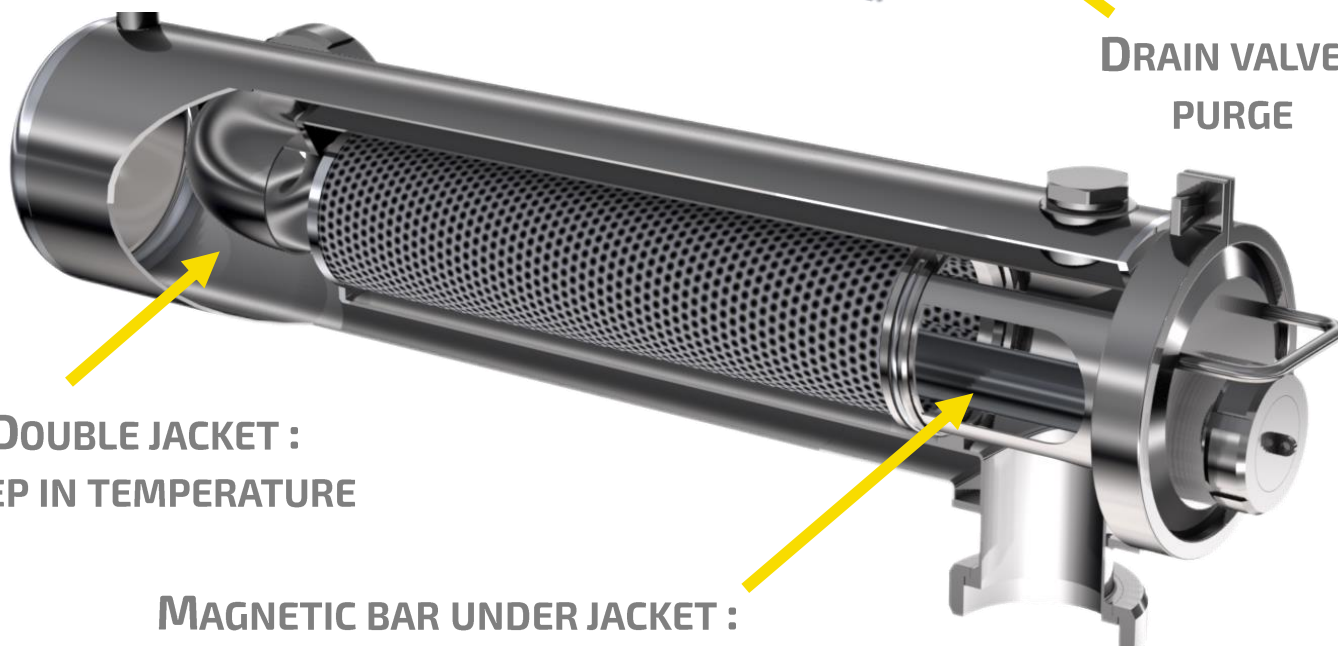


**PRESSURE  
MEASUREMENT :  
CONTROL FOULING**



**DRAIN VALVE :  
PURGE**

**DOUBLE JACKET :  
KEEP IN TEMPERATURE**



**MAGNETIC BAR UNDER JACKET :  
TRAP METAL PARTICLES**

## **OTHERS POSSIBLE CONSTRUCTIONS:**

- **CONNEXIONS (CLAMPS, MALE, FEMALE, FLANGES, ETC.....)**
- **SPECIFIC LENGHT AND Ø,**
- **SPECIFIC STITCHING (VENTS, INSTRUMENTATION,...)**
- **DETECTION OF PRESENCE AND/OR CLOSURE OF CARTRIDGE**
- **SPECIFIC DESIGN**
- **DOUBLE JACKET**
- **ETC....**



## They trust us :

AGRANA, AIR LIQUIDE, AREVA, BASF, BLEDINA, CEMOI, CENEXI, COCA-COLA, COLGATE-PALMOLIVE, DANONE, DRT, FAREVA, FIRMENICH, GERFLOR, GYMA, HENKEL, JOHNSON&JOHNSON, LA MARTINIQUEAISE, L'OREAL, LESIEUR, LESSAFRE, MOËT & CHANDON, NESTLE, PIERRE FABRE, PERNOD RICARD, ROQUETTE, SANOFI, LABORATOIRES SARBEC, SERVIER, SEQENS, SOLVAY, TEREOS, TORAY, VALRHONA, VEOLIA, YOPLAIT, YVES ROCHER...

Your partner:



*The expertise  
of a designer  
and manufacturer*

ZI Ti Lipig - 10, rue Hélène Boucher  
29700 PLUGUFFAN – France  
Tel : +33 (0)2 98 51 20 30  
**[www.ab6-fluidprocess.com](http://www.ab6-fluidprocess.com)**