

Pigging system

Sampling

Filtration

Safety valves



REM
SYRINGE SAMPLING MEMBRANE SUPPORT



RES
STERILIZING BY LIQUID OR STEAM



REC
FLAME STERILIZABLE

Aseptic sampling valves

+33 (0)2 98 51 20 30

www.ab6-fluidprocess.com



*The expertise
of a designer
and manufacturer*



Aseptic
sampling
valves
REC/RES/REM

Applications



REC
FLAME STERILIZABLE

RES
STERILIZING BY LIQUID OR STEAM

REM
SYRINGE SAMPLING MEMBRANE SUPPORT

Our focus is on optimization of production costs, quality control and environmental standards.

ABSCISSE offers solutions for reducing effluent, optimizing line cleaning, making processes secure and increasing the versatility of production lines.

Quality is an imperative. It is ensured by sampling, performed at the various stages of manufacture and by more or less binding environmental surroundings.

- Securing the samples
- Perfect representativeness of samples taken
- Safety of the sample taken
- Flush construction without retention
- Can be integrated into the cleaning cycles of the piping or the tank
- Simple automation
- Easy use, maintenance and upgrading
- Low maintenance cost

FDA U.S. FOOD & DRUG ADMINISTRATION

CE1935/2004

CLASS



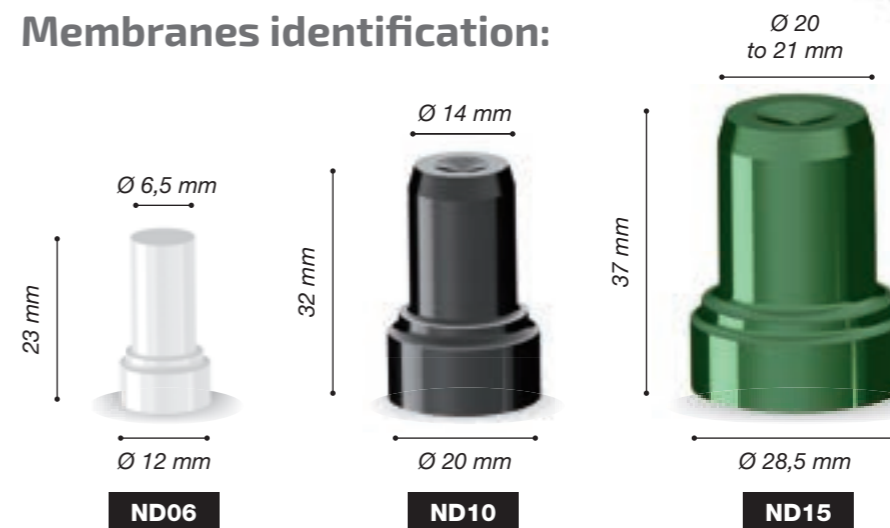


Aseptic sampling valves
REC/RES/REM

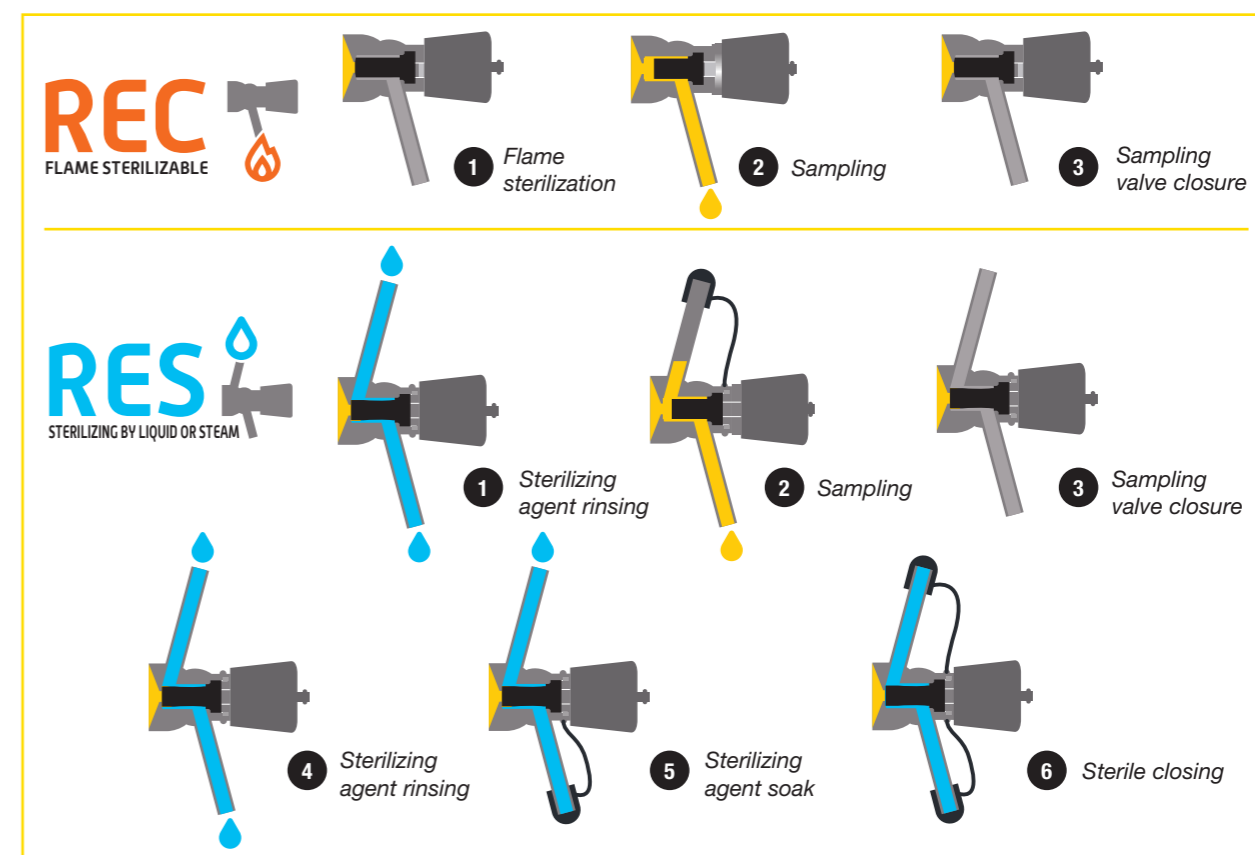
Technical definition



Membranes identification:



Sterilization procedures:



Technical characteristics:

ND	6	10	15
Service pressure*	0 to 10 bars	0 to 10 bars	0 to 10 bars
Operating temperature**	Stainless Steel pusher	DELTRIN pusher/Pneumatic actuator	
SILICONE	0°C to 200 °C	0°C to 110°C	0°C to 110°C
EPDM	0°C to 120°C	0°C to 110°C	0°C to 110°C
FKM	0°C to 200°C	0°C to 110°C	0°C to 110°C
PTFE	0°C to 120°C	0°C to 110°C	0°C to 110°C
Maximum sterilization temperature**			
SILICONE	149°C		110°C
EPDM	120°C		110°C
FKM	121°C		110°C
PTFE	120°C		110°C
Viscosity max. for a flow rate of 10 ml/s under 0.1b	200 cPo	1500 cPo	9000 cPo
Maximum particle size	0.8	1.3	2.2
Washing flow rate (m³/h) at speed of 3.5 m.s	0.2	0.6	1.5

*Internal service pressure (tank and / or pipe).

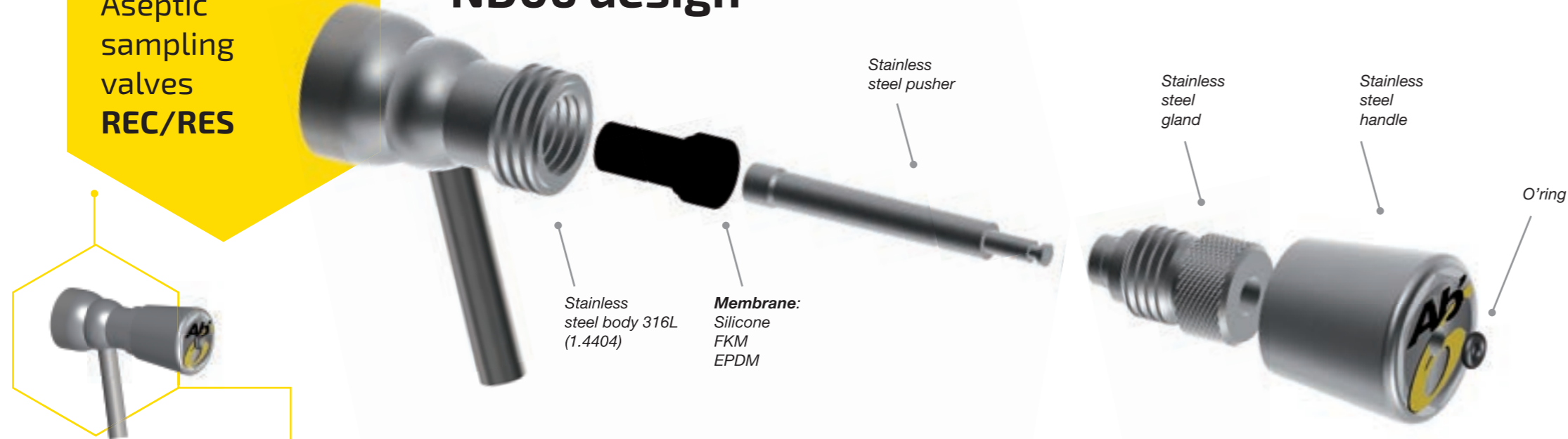
**Subject to chemical compatibility with the products in contact and fluid in the liquid state.





Aseptic sampling valves
REC/RES

ND06 design



Suitable for low viscosity and unloaded liquids

Ideally designed for water, beer, wine or spirits

On tank or pipe

Stainless steel handle and pusher

Standard construction:

- EPDM, Silicone or FKM Membrane
- Sterilization Inlet by tube nozzle
- Sampling outlet by tube nozzle

On request:

- PTFE membrane construction
- Stainless steel body low ferrite 1.4435, Hastelloy or Alloy, Uranus B6,
- Inlet tube for Sterilization Inlet and sampling outlet with specific connection (clamp, SMS, DIN, thread, etc.)

Without retention area:

In the closed position, compressed by the mechanical action of the pusher, the membrane fills the passage orifice entirely by its deformation.

In the open position, compressed by the mechanical action of the gland, the membrane is perfectly flush with the sample tube.

Securing the operations:

The thread of the gland is dissociated from that of the handle. There is thus no risk of loosening one by the action of the other.

Simplified automatization:

The motorization is done by a simple replacement of the pusher and the handle.

As an alternative to the manual construction, this valve can be equipped with:



Pneumatic actuator normally closed



Pneumatic actuator normally opened



Pneumatic actuator normally closed with detection



Pneumatic actuator normally closed with mixed control



Sampling valve closed by spring operation

Connection to tank or pipe:

	Flush membrane	Non-flush membrane
To be welded on tank wall	●	
Half clamp External Ø 50.5 mm	●	
BSP thread end 1/2" (15x21)	●	
Butt welded		●
Welded on tube to be welded on pipe	●	
Half micro clamp External Ø25 mm		●
BSP thread end 1/4" (8x13)		●
BSP thread end 3/8" (12x17)		●
Nutt ND25 SMS connection		●

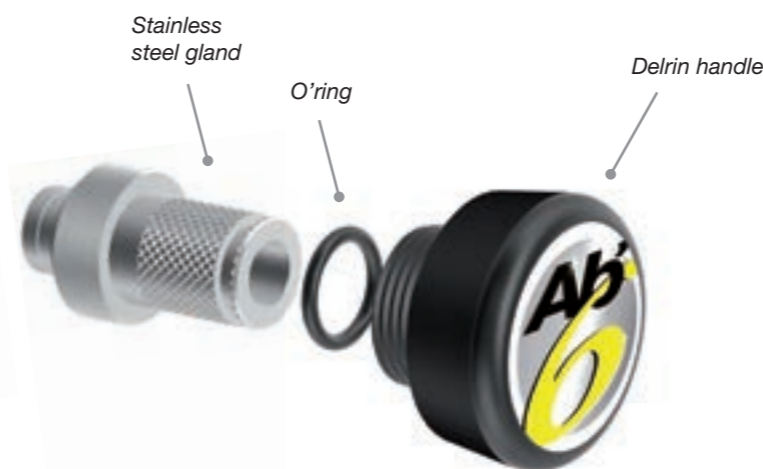
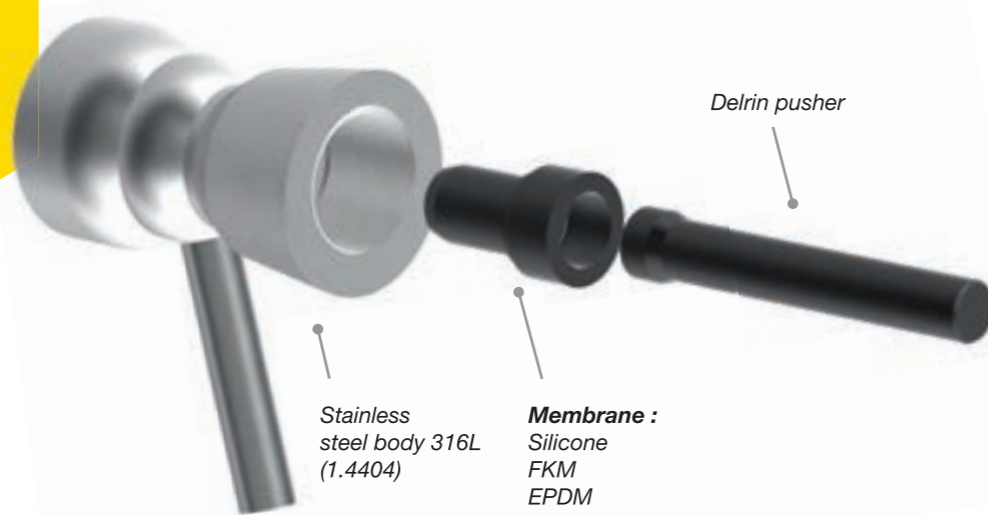
● On stock ● Frequent stock ● Manufacturing





**Aseptic sampling valves
REC/RES**

ND10 and ND15 design



Suitable for liquids or pastes, even with small solids in suspension
Ideally designed for milk, cream, yogurts...
On tank or pipe
Delrin handle and pusher or in stainless steel version

Standard construction:

- EPDM, Silicone or FKM Membrane
- Sterilization Inlet by tube nozzle
- Sampling outlet by tube nozzle

On request:

- PTFE membrane construction
- Stainless steel body low ferrite 1.4435, Hastelloy or Alloy, Uranus B6,
- Inlet tube for sterilizer and sampling outlet with specific connection (clamp, SMS, DIN, thread, etc.)

Without retention area:

In the closed position, compressed by the mechanical action of the pusher, the membrane fills the passage orifice entirely by its deformation.

In the open position, compressed by the mechanical action of the gland, the membrane is perfectly flush with the sample tube.

As an alternative to the manual construction, this valve can be equipped with:



Pneumatic actuator normally closed



Pneumatic actuator normally closed with detection

Securing the operations:

The thread of the gland is dissociated from that of the handle. There is thus no risk of loosening one by the action of the other.

Simplified automatization:

The motorization is done by a simple replacement of the pusher and the handle.



Pneumatic actuator normally closed with mixed control

Connection to tank or pipe:

	Flush membrane	Non-flush membrane
To be welded on tank wall	●	
Half clamp External Ø 50.5 mm	●	
Welded on tube to be welded on pipe	●	
Butt welded		●
BSP thread end 1/2" (15x21)		●
Nutt ND25 SMS connection		●
NA CONNECT / INGOLD		●

● On stock ● Manufacturing





Aseptic sampling valve
REM

Aseptic Syringe Sampling membrane support (septum)



The sampling is done using a syringe, passing through a self-healing membrane.

Adapted for not very viscous and non-loaded liquids, presenting a strong risk of bacteriological development (water, milk, beer, liquids fermenting agents, etc.)

On tank or pipe

On request:

- Stainless steel body low ferrite 1.4435, Hastelloy or Alloy, Uranus B6,
- Recording device

No bacteriological risk:

The elastomer membrane is positioned perfectly flush.
A stainless steel grid, placed on the front panel of the equipment, doubled by a PTFE membrane, makes it possible to differentiate the areas already used from those still available.



Delrin plastic cap

Perbunan Secured cap



Excellent cleanability:

By the mechanical action of the gland, the membrane fills its body perfectly by its deformation.

Simplicity of maintenance:

The membrane and the PTFE control diaphragm are the only spare parts. Its maintenance does not require any specific tooling.

Connection to tank or pipe:

	40 holes	76 holes
To be welded on tank wall	●	●
Half clamp 3/4" Øext 50.5 mm	●	●
Welded on tube to be welded on pipe	●	●
Butt welded	●	●
NA CONNECT / INGOLD	●	●

● On stock ● Frequent stock ● Manufacturing

Technical characteristics:

Holes	40	76
Service pressure*	-1 to 10 bars	0 to 10 bar
Operating temperature**	0 °C to 200 °	
SILICONE	0 °C to 200 °	
Perforation pressure	0 to 3 bars	0 to 3 bars
Maximum size of syringes (mm)	1.3	1.3

*Internal service pressure (tank and / or pipe)

**Subject to chemical compatibility with the products in contact and fluid in the liquid state





Our
international
presence

They trust in our technology

AGRANA, AIR LIQUIDE, BASF, BLEDINA, CEMOI, CENEXI, COCA-COLA, COLGATE-PALMOLIVE, DANONE, FAREVA, FIRMENICH, GERFLOR, GYMA, HENKEL, JOHNSON & JOHNSON, LA MARTINIQUEAISE, L'OREAL, LESIEUR, LESSAFRE, MOËT & CHANDON, NESTLE, PIERRE FABRE, PERNOD RICARD, ROQUETTE, SANOFI, SARBEC, SERVIER, SOLVAY, TEREOS, TORAY, VALRHONA, VEOLIA, YOPLAIT, YVES ROCHER...

Your partner



*The expertise
of a designer
and manufacturer*

ZI Ti Lipig - 10, rue Hélène Boucher
29700 Pluguffan - FRANCE
+33 (0)2 98 51 20 30 • Fax +33 (0)2 98 51 20 40
www.ab6-fluidprocess.com